

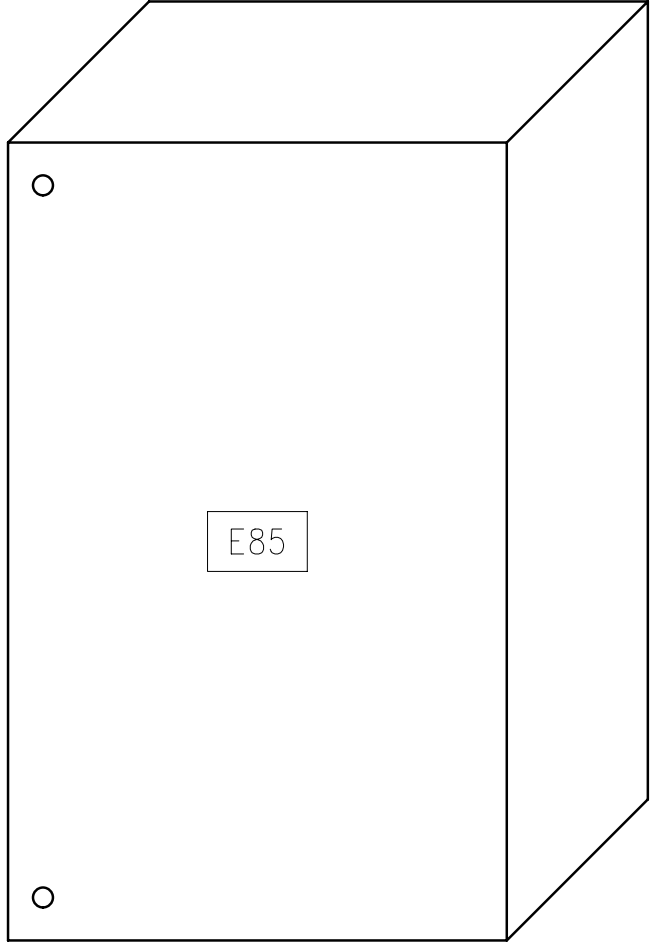
Wartsila Switzerland Ltd retains all rights to this drawing. By taking possession of the drawing the recipient recognizes and honours these rights. Neither the whole nor any part of this drawing may be used in any way for construction, fabrication or marketing or any other purpose nor copied in any way nor made accessible to third parties without the previous written consent of Wartsila Switzerland Ltd. In case of violation, the recipient will be liable to damages.


Mod.	REV.	DATE	DATE	DATE	DATE	DATE	DATE	DATE	DATE	DATE	DATE	DATE	DATE	DATE	DATE	DATE	DATE	DATE	DATE	DATE	DATE																										
b	0	7-30.470	26.01.05	7-31.938	18.04.05																																										

**Wartsila Corporation  
CONFIDENTIAL**

### POWER SUPPLY BOX E85

- (RT-flex96C-B UP TO 7 CYL.)
- (RT-flex60C ALL CYL.)
- (RT-flex58T-B ALL CYL.)
- (RT-flex68T-B ALL CYL.)
- (RT-flex84T-D ALL CYL.)

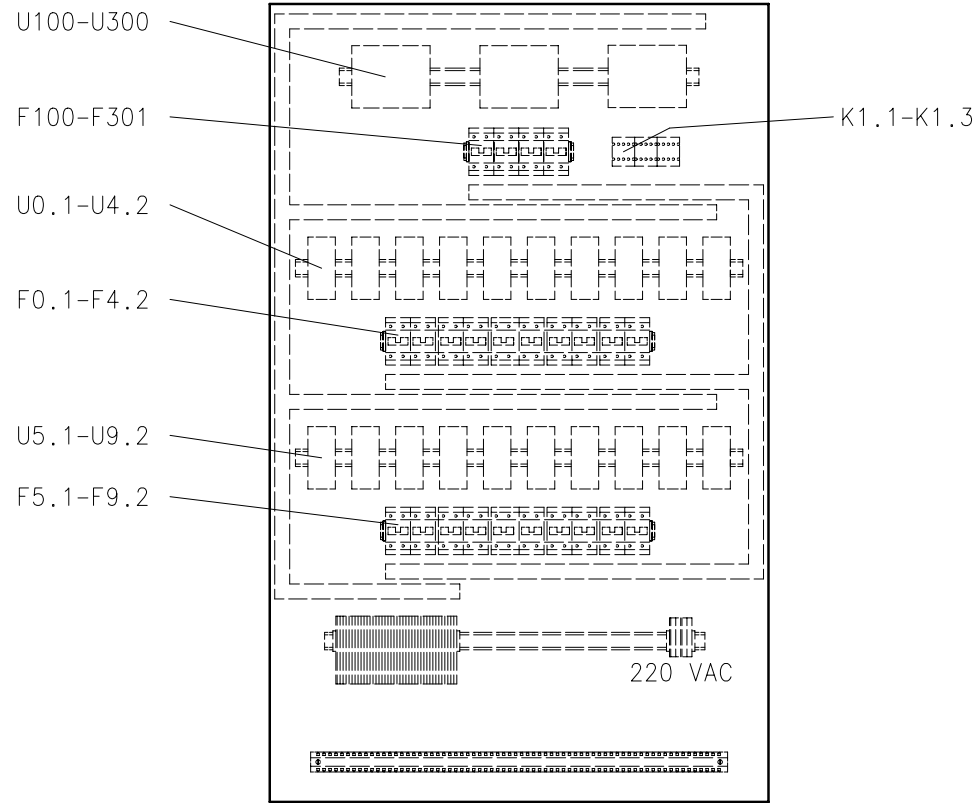


CAD	E85	CONTROL DIAGRAM POWER SUPPLY BOX E85 / WECS-9520	Drawn	M.BUNER 26.07.04	 <b>WÄRTSILÄ</b>	. 3-107.344.939	1		.
	Conr.		M.BUNER/J.STOPPER 23.07.04						
					Wartsila Switzerland Ltd				

Wartsila Switzerland Ltd retains all rights to this drawing. By taking possession of the drawing the recipient recognizes and honours these rights. Neither the whole nor any part of this drawing may be used in any way for construction, fabrication or marketing or any other purpose nor copied in any way nor made accessible to third parties without the previous written consent of Wartsila Switzerland Ltd. In case of violation, the recipient will be liable to damages.

Mod.	0	1	2	3	4	5	6	7	8	9
	7-30.470	26.01.05								
Destination group	00710-P									
Origin/Ref.										

## ARRANGEMENT OF COMPONENTS



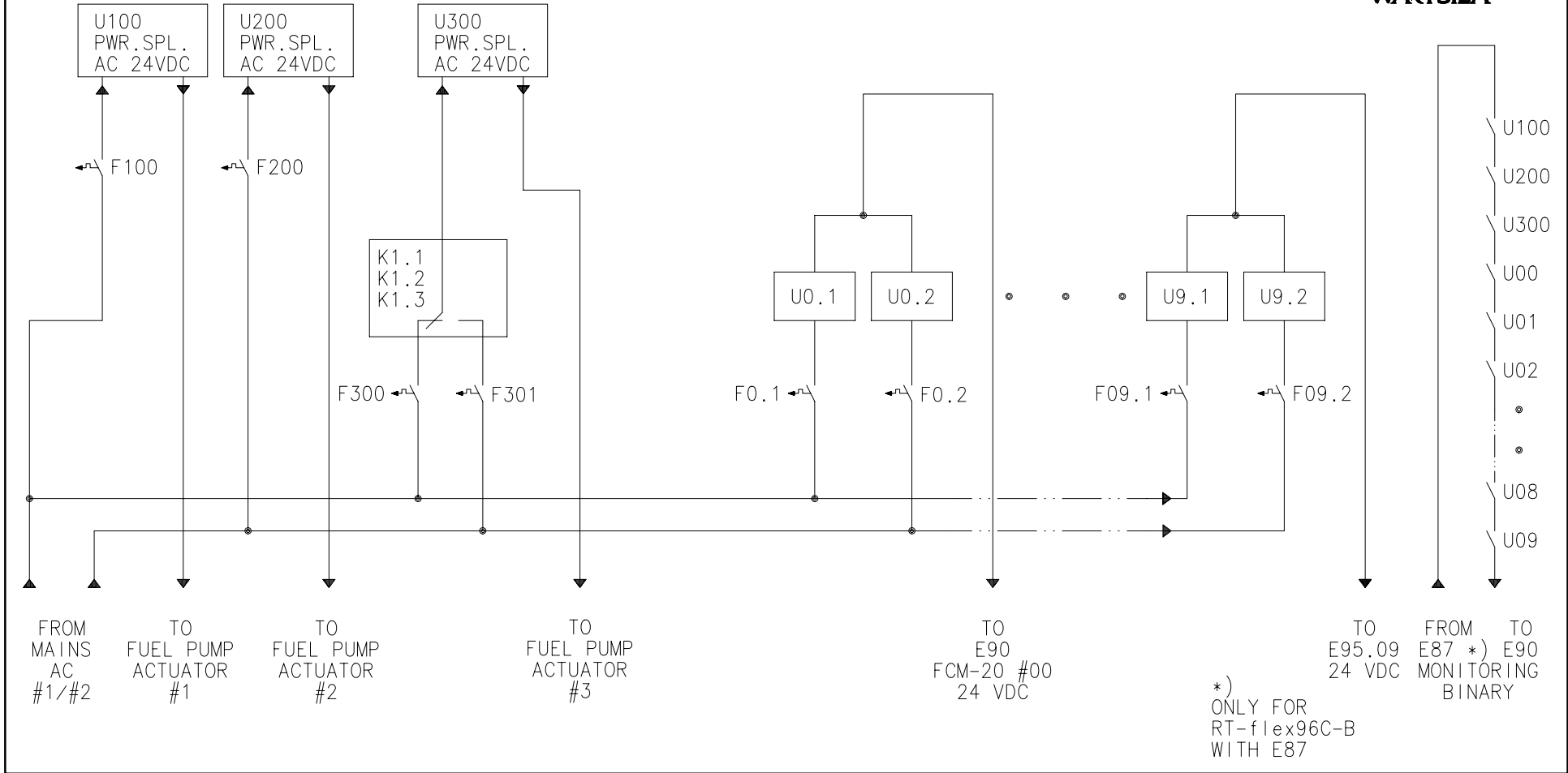
CAD	E85	CONTROL DIAGRAM POWER SUPPLY BOX E85 / WECS-9520		Drawn M.BUNER 26.07.04	3-107.344.939	2	Wartsila Switzerland Ltd
			Contr. M.BUNER/J.STOPPER 23.07.04				



Wartsila Switzerland Ltd retains all rights to this drawing. By taking possession of the drawing the recipient recognizes and honours these rights. Neither the whole nor any part of this drawing may be used in any way for construction, fabrication or marketing or any other purpose nor copied in any way nor made accessible to third parties without the previous written consent of Wartsila Switzerland Ltd. In case of violation, the recipient will be liable to damages.

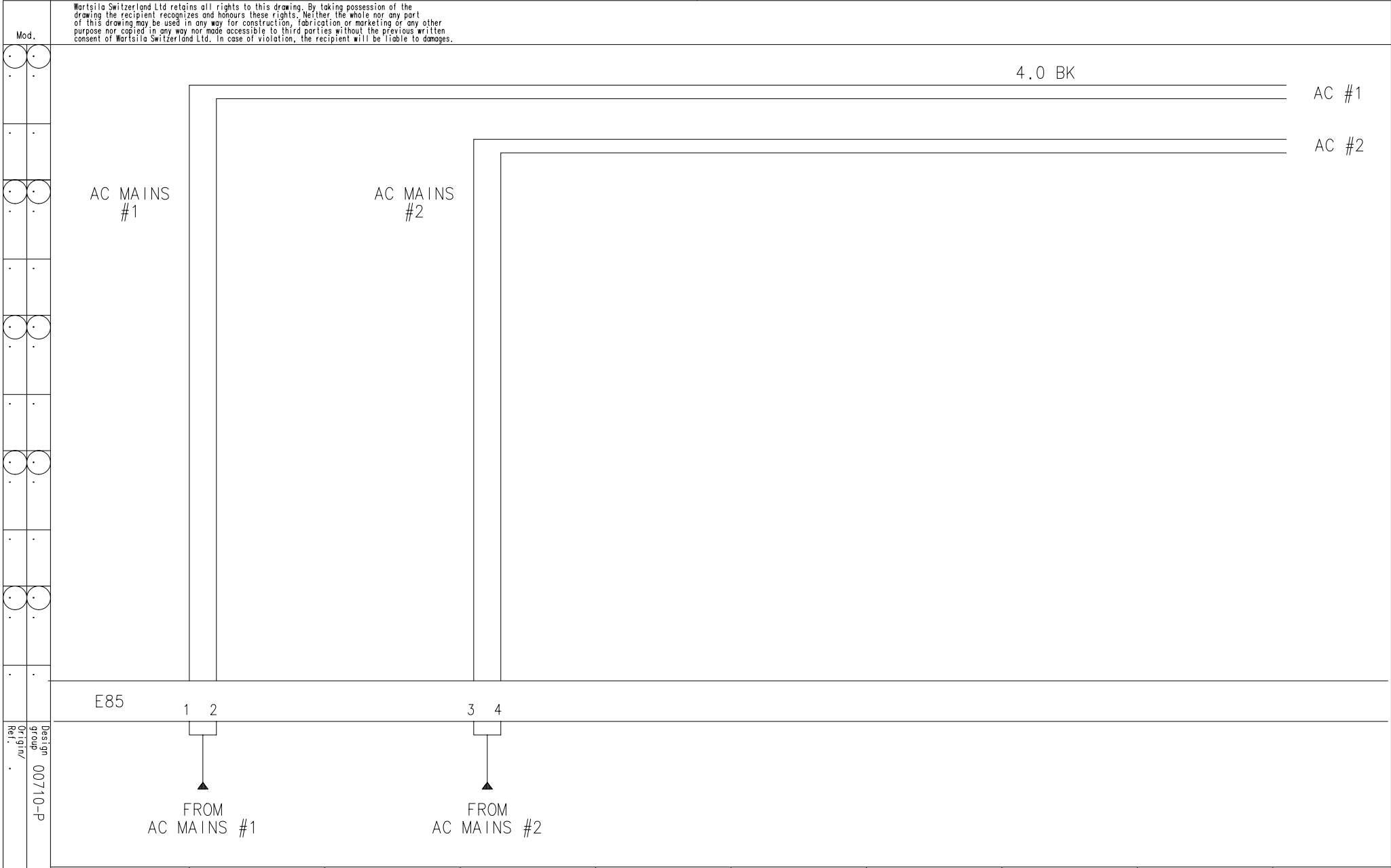
Mod.  
C  
7-31.938  
18.04.05  
Destination group  
00710-P  
Rel.

### E85 BLOCK DIAGRAM



E85	CONTROL DIAGRAM POWER SUPPLY BOX E85 / WECS-9520	Drawn	M.BUNER 26.07.04	3-107.344.939	3	.
		Contr.	M.BUNER/J.STOPPER 23.07.04			
CAD		WÄRTSILÄ		Wartsila Switzerland Ltd		

Wartsila Switzerland Ltd retains all rights to this drawing. By taking possession of the drawing the recipient recognizes and honours these rights. Neither the whole nor any part of this drawing may be used in any way for construction, fabrication or marketing or any other purpose nor copied in any way nor made accessible to third parties without the previous written consent of Wartsila Switzerland Ltd. In case of violation, the recipient will be liable to damages.



4.0 BK

AC #1

AC #2

AC MAINS  
#1

AC MAINS  
#2

E85

1 2

3 4

FROM  
AC MAINS #1

FROM  
AC MAINS #2

Mod.  
Origin  
Revision  
Date  
Drawn  
Conr.

00710-P

.0 .1 .2 .3 .4 .5 .6 .7 .8 .9

E85

CONTROL DIAGRAM  
POWER SUPPLY BOX E85 / WECS-9520

Drawn M.BUNER 26.07.04  
Conr. M.BUNER/J.STOPPER 23.07.04



3-107.344.939

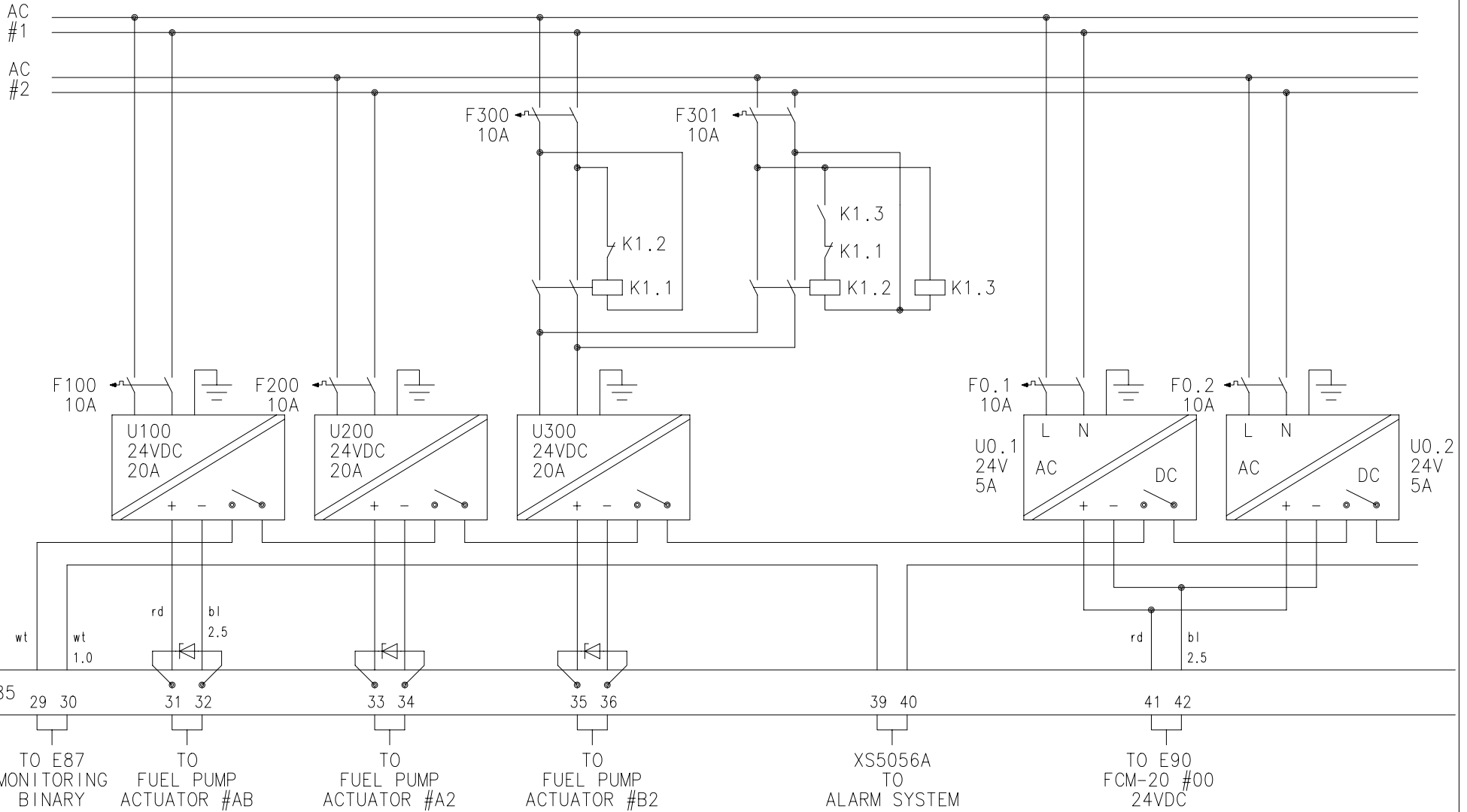
4

Wartsila Switzerland Ltd

Wartsila Switzerland Ltd retains all rights to this drawing. By taking possession of the drawing the recipient recognizes and honours these rights. Neither the whole nor any part of this drawing may be used in any way for construction, fabrication or marketing or any other purpose nor copied in any way nor made accessible to third parties without the previous written consent of Wartsila Switzerland Ltd. In case of violation, the recipient will be liable to damages.

Mod.  
 d 7-30.470  
 b 7-30.648  
 c 26.01.05  
 07.03.05  
 7-31.938  
 18.04.05  
 Destination  
 Origin  
 Ref.  
 00710-P  
 CAD

SUPPLY ACTUATOR ONLY FOR RT-flex96C-B WITH "BOSCH PUMPS" SPARE UNIT SUPPLY E90 #00



CONTROL DIAGRAM  
 POWER SUPPLY BOX E85 / WECS-9520

Drawn M.BUNER 26.07.04  
 Contr. M.BUNER/J.STOPPER 23.07.04



3-107.344.939

Wartsila Switzerland Ltd

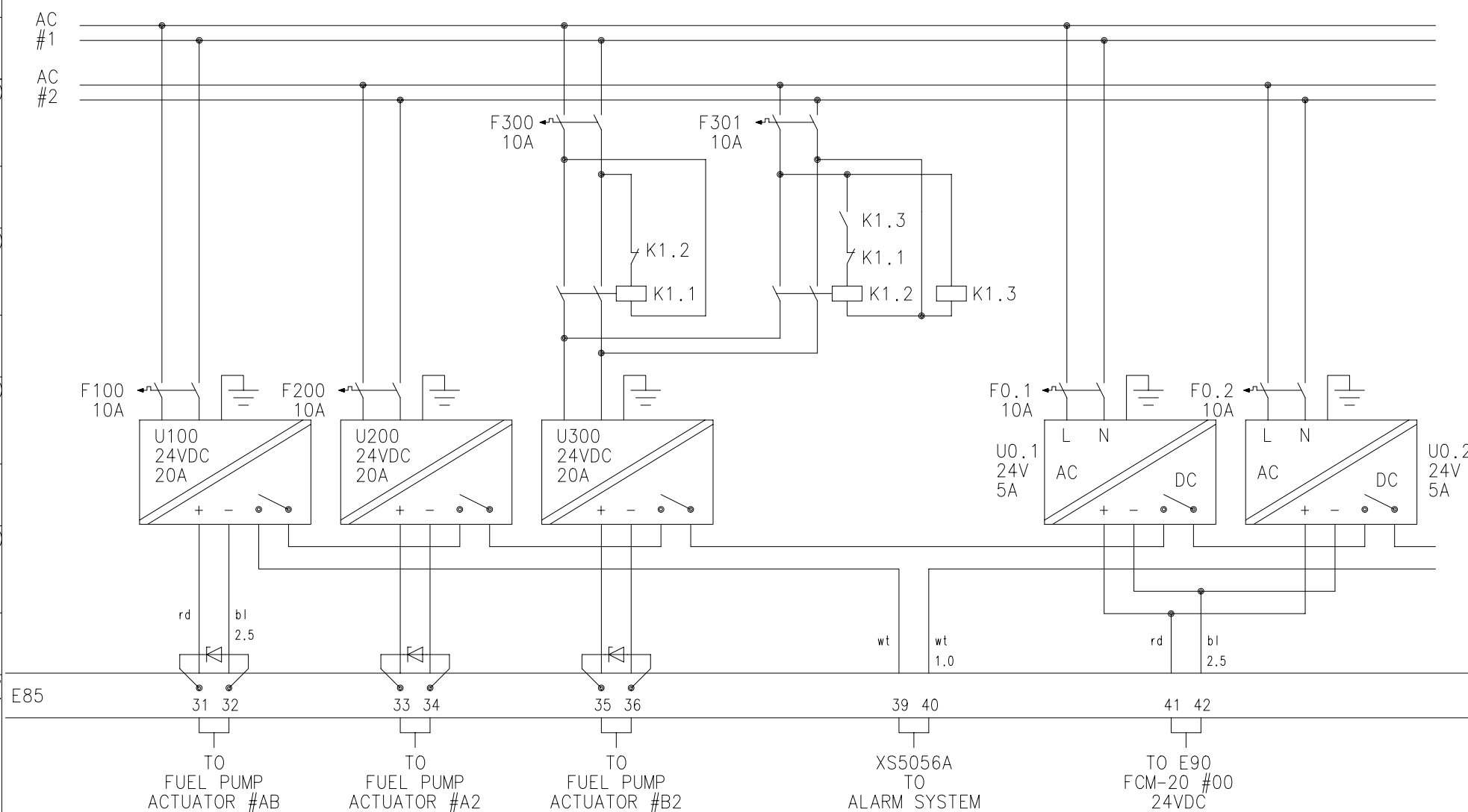
Wartsila Switzerland Ltd retains all rights to this drawing. By taking possession of the drawing the recipient recognizes and honours these rights. Neither the whole nor any part of this drawing may be used in any way for construction, fabrication or marketing or any other purpose nor copied in any way nor made accessible to third parties without the previous written consent of Wartsila Switzerland Ltd. In case of violation, the recipient will be liable to damages.

Mod.	a	7-30.470	26.01.05	c	7-31.938	18.04.05	Destination ground 00710-P	E85		
	b	7-30.648	07.03.05		rd	bl				
									wt	
CAD	CONTROL DIAGRAM									
	POWER SUPPLY BOX E85 / WECS-9520									

SUPPLY ACTUATOR

ALL ENGINE WITH "DYNEX PUMPS"

SPARE UNIT SUPPLY E90 #00



CONTROL DIAGRAM  
POWER SUPPLY BOX E85 / WECS-9520

Drawn M.BUNER 26.07.04  
Contr. M.BUNER/J.STOPPER 23.07.04



3-107.344.939 6

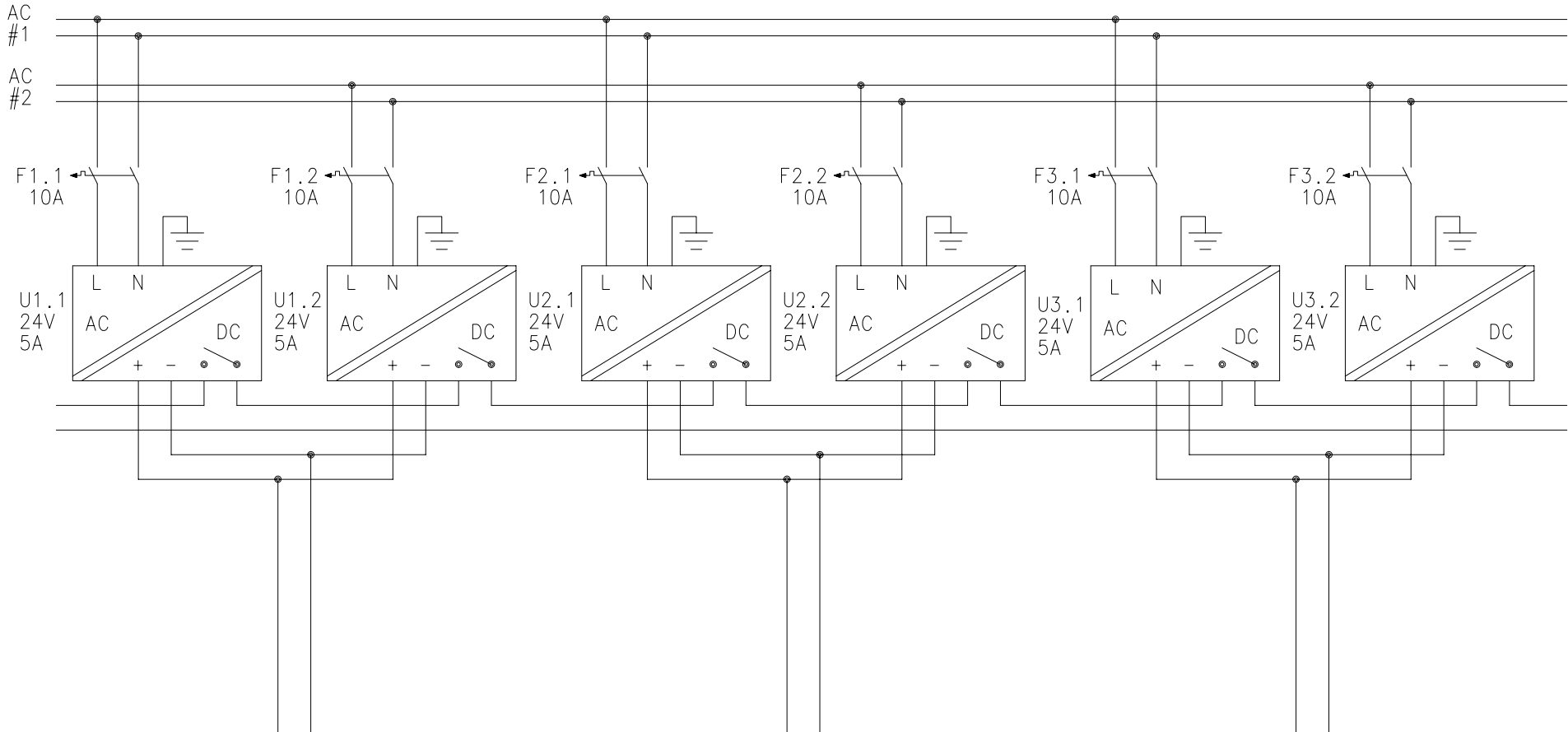
Wartsila Switzerland Ltd retains all rights to this drawing. By taking possession of the drawing the recipient recognizes and honours these rights. Neither the whole nor any part of this drawing may be used in any way for construction, fabrication or marketing or any other purpose nor copied in any way nor made accessible to third parties without the previous written consent of Wartsila Switzerland Ltd. In case of violation, the recipient will be liable to damages.

Mod.  
 7-30.470  
 26.01.05  
 Origin  
 Destination  
 00710-P  
 CAD

SUPPLY FCM-20 #01

SUPPLY FCM-20 #02

SUPPLY FCM-20 #03



E85

43 44

TO E90  
 FCM-20 #01  
 24VDC

45 46

TO E90  
 FCM-20 #02  
 24VDC

47 48

TO E90  
 FCM-20 #03  
 24VDC

.0

.1

.2

.3

.4

.5

.6

.7

.8

.9

E85

CONTROL DIAGRAM  
 POWER SUPPLY BOX E85 / WECS-9520

Drawn M.BUNER 26.07.04

Contr. M.BUNER/J.STOPPER 23.07.04

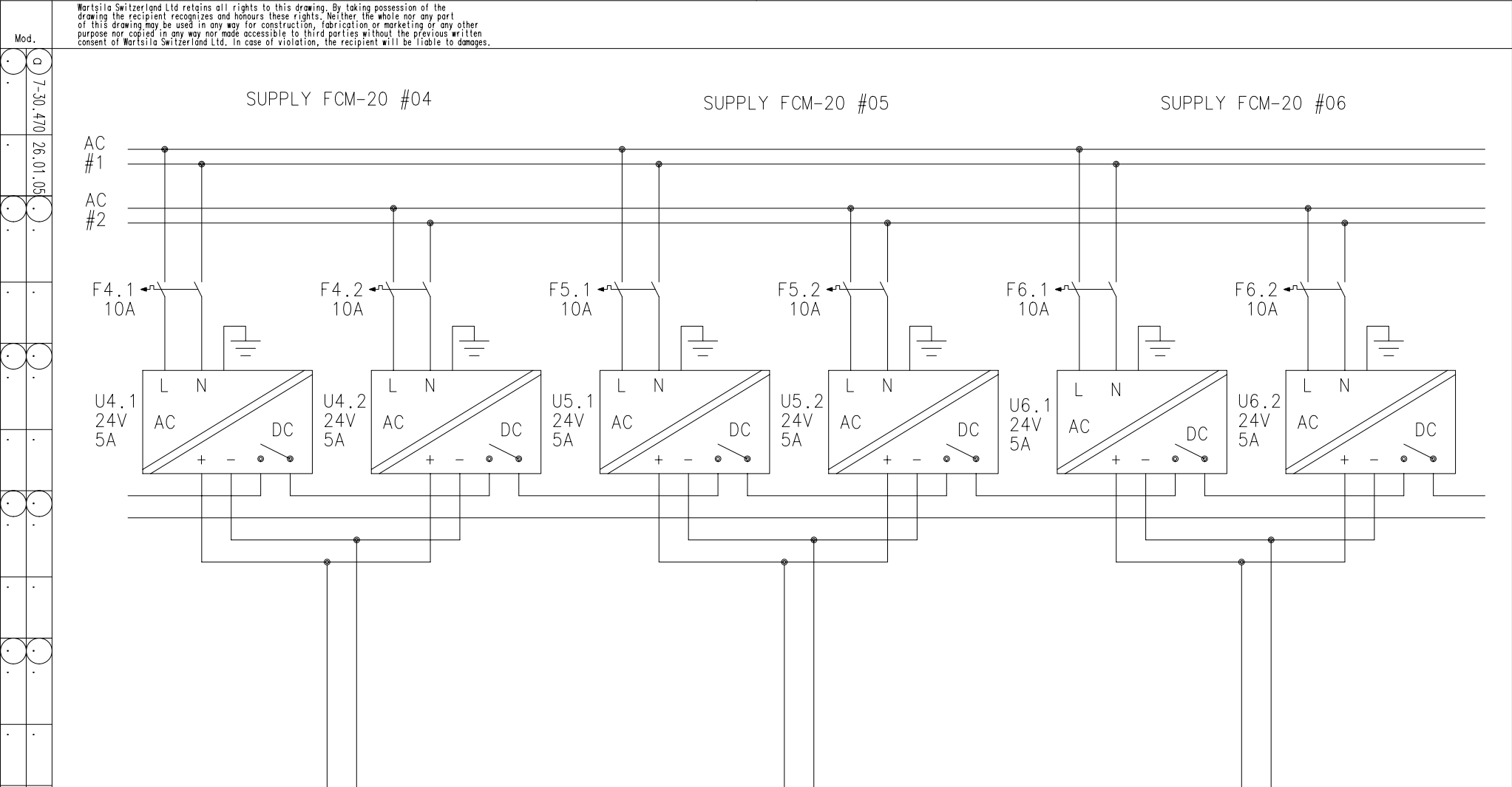


3-107.344.939

7

Wartsila Switzerland Ltd

Wartsila Switzerland Ltd retains all rights to this drawing. By taking possession of the drawing the recipient recognizes and honours these rights. Neither the whole nor any part of this drawing may be used in any way for construction, fabrication or marketing or any other purpose nor copied in any way nor made accessible to third parties without the previous written consent of Wartsila Switzerland Ltd. In case of violation, the recipient will be liable to damages.



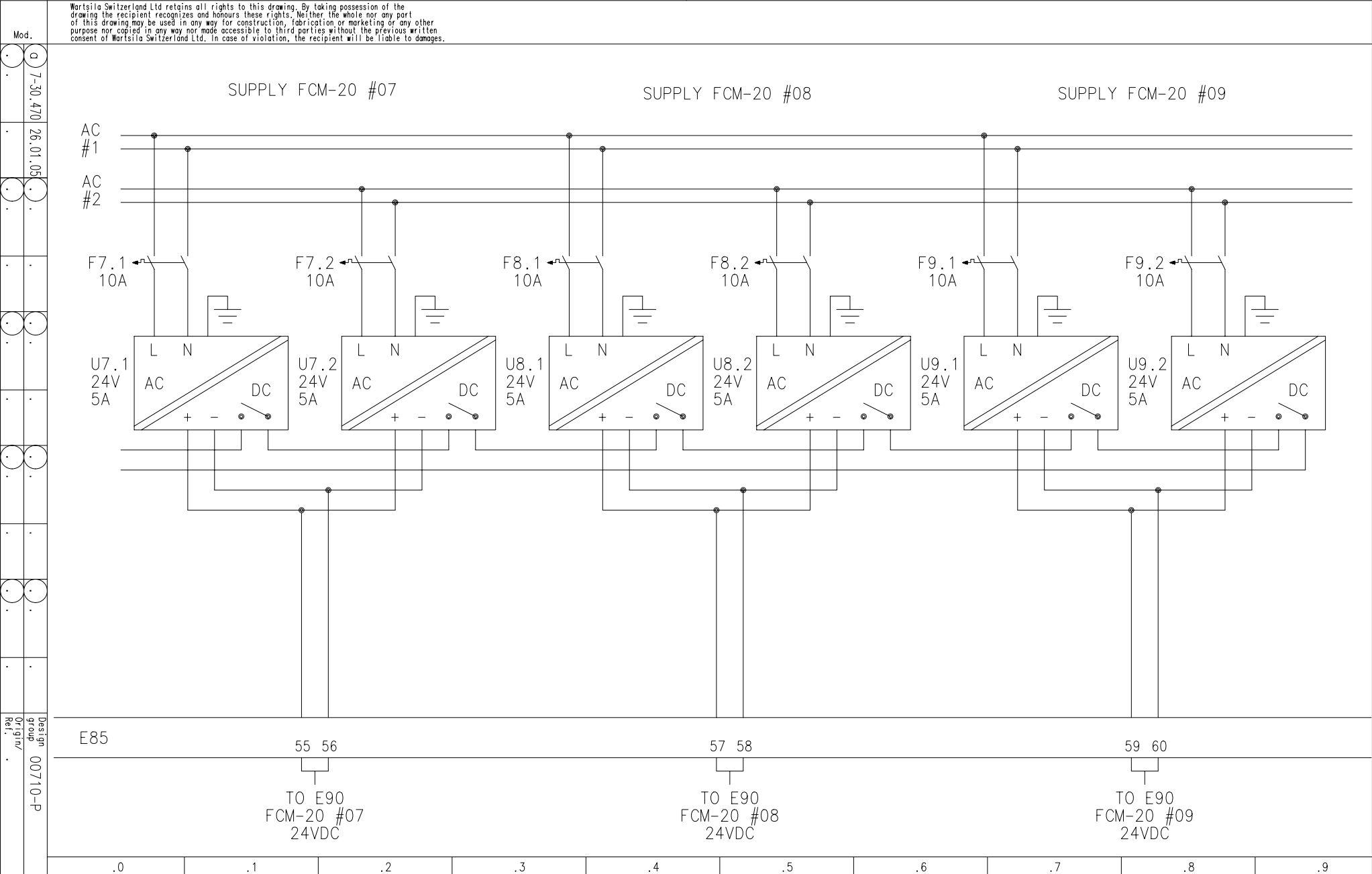
Destination group	E85	49 50	51 52	53 54
		TO E90 FCM-20 #04 24VDC	TO E90 FCM-20 #05 24VDC	TO E90 FCM-20 #06 24VDC

CAD	E85	CONTROL DIAGRAM POWER SUPPLY BOX E85 / WECS-9520	Drawn M.BUNER 26.07.04		. 3-107.344.939	8	.
	Contr. M.BUNER/J.STOPPER 23.07.04						

Mod.  
7-30.470  
26.01.05  
E85  
00710-P  
Rel.



Wartsila Switzerland Ltd retains all rights to this drawing. By taking possession of the drawing the recipient recognizes and honours these rights. Neither the whole nor any part of this drawing may be used in any way for construction, fabrication or marketing or any other purpose nor copied in any way nor made accessible to third parties without the previous written consent of Wartsila Switzerland Ltd. In case of violation, the recipient will be liable to damages.



CAD	E85	CONTROL DIAGRAM		Drawn	M.BUNER 26.07.04	. 3-107.344.939	9	.
		POWER SUPPLY BOX E85 / WECS-9520		Contr.	M.BUNER/J.STOPPER 23.07.04			



Wartsila Switzerland Ltd